

# DAIWA DVS-SA603PTZ

## Operating Instructions

Thank you very much for choosing this DAIWA product. We have designed it to be a sturdy, rugged, dependable product that will provide many years of satisfactory use. Please read these operating instructions carefully before use so that you can take full advantage of the tripod's features. Retain these operating instructions in case you need to refer back to it.

### ⚠ Caution

This caution icon refers to information pertaining to important safety procedures in preventing injuries, or damages which may occur as a result of mishandling this product.

### 🚫 Prohibition

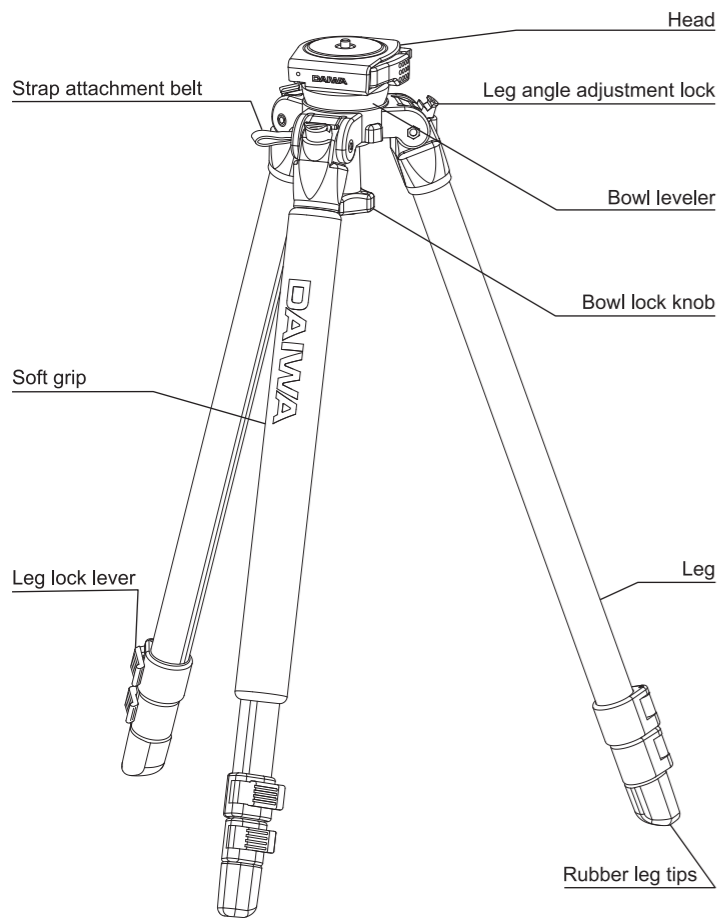
This prohibited icon refers to information pertaining to prohibited contents. Please refer to instruction closely to avoid accidents.

## Specification

Max. operating height	1,310 mm
Folded length	595 mm
Min. operating height	285 mm
Bowl diameter	60 mm
Weight	1,635 g

With exclusive bag

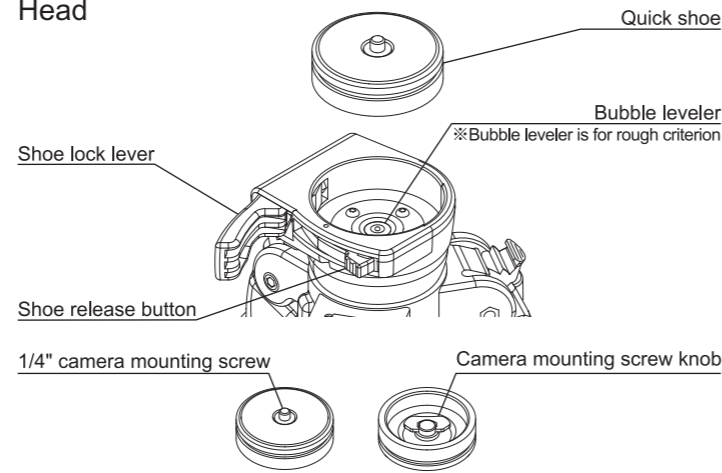
## Components



### ⚠ Caution

Soft grip is consumable. Replace when it is worn out. (not covered by the warranty) ※Color of the soft grip can be stained. Keep out from object.

## Head



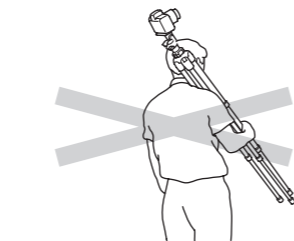
## Equipment that can be loaded on this tripod

### 🚫 Prohibition

This equipment is designed to carry up to 5kg of equipment. Do not overload. Some equipment weighting under 5kg, may not balance well due to its weight distribution. Please place the camera COG as close to the center of the tripod as possible and use with care, tightening all fastening parts securely.

## Carrying the tripod

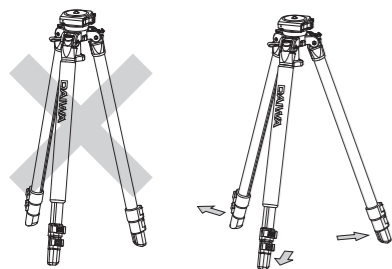
### 🚫 Prohibition



Carrying a tripod with a camera attached can lead to unexpected accidents. For this reason, we recommend you remove your camera when carrying the tripod.

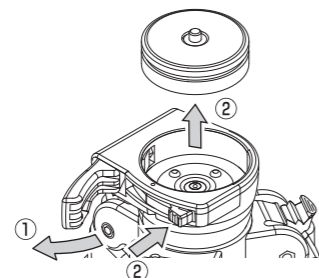
## Setting up

### ⚠ Caution



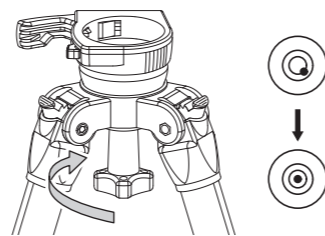
To prevent accidental equipment fall or tripod tipping over, making sure all levers, knobs and handles on the tripod are securely tightened. And all three legs are opened completely.

## Adjust the level of the head



Adjust the level before installing the camera on the head.  
 ① Pull the shoe lock lever in the direction of the arrow.  
 ② While pressing the shoe release lever, remove the quick shoe.

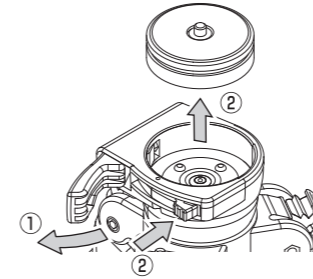
### ⚠ Caution



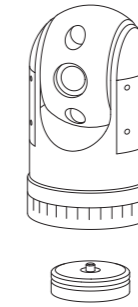
Turn the bowl lock knob in the direction of the arrow to loosen it, and move the head to adjust it so that the air bubble in the leveler is inside the circle as shown in the figure. After adjustment, tighten the bowl lock knob securely. ※ Bubble level on the tripod offers approximate leveling of the tripod.

## Attaching camera to the quick shoe

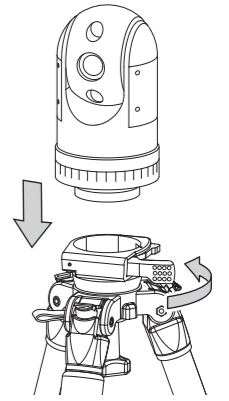
### ⚠ Caution



① Pull the shoe lock lever in the direction of the arrow.  
 ② While pressing the shoe release lever, remove the quick shoe.



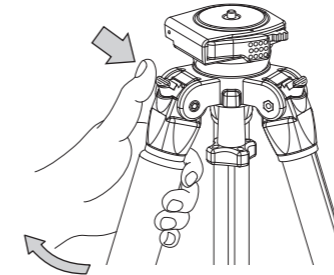
Screw the quick shoe to the camera. Be careful not to tighten the screw too much, as this may damage the bottom screw of the camera.



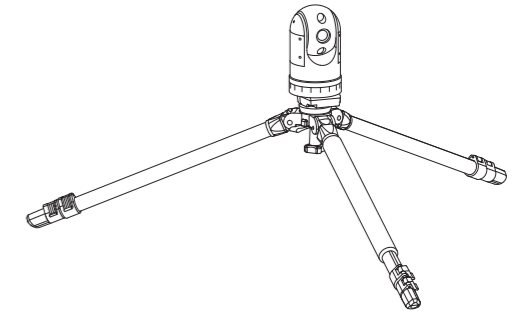
Insert the quick shoe into the head and lock it in place by pushing down the shoe lock lever.

## Leg angle adjustment

### ⚠ Caution

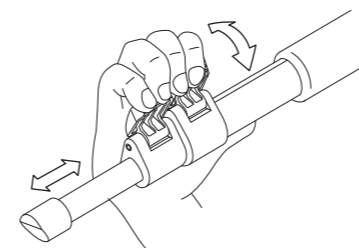


To change the angle of each leg, close the leg slightly, and push the leg angle adjustment lock out. There is a choice of two other angle position. Be careful not to pinch your fingers while operation.



The low position setting allows you to take pictures at a low angle.

## Extending the tripod legs



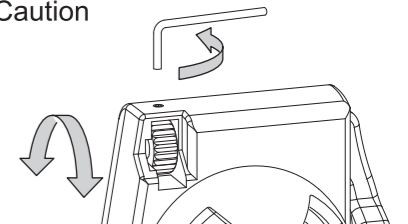
Flip up the leg lock lever to extend or shorten any of the individual leg section to the desired length. Press the leg lock lever flush against the leg to lock. Use upper section, there will be less wobble.



It is easier to extend the tripod leg if you turn the leg-tips to the foot, while leaving legs close.

## Adjusting the firmness of the locking lever

### ⚠ Caution



After long use, you may need re-tighten the lever lock mechanism through the window located underneath of the head. You will need to loosen the locking pin with an ordinarily Allen wrench (1.5mm) Do not attempt this procedure when no adjustment is required.

## Care of the tripod

DO NOT apply any grease or oil to this product. Clean with a mild detergent and a soft cloth only. DO NOT use close to flame. Avoid extreme heat.



SLIK Corporation reserves the right to make changes in design and/or improvements on the products without any obligation and advanced notice.

SLIK CORPORATION

853 Kayama, Hidaka City, Saitama 350-1231, JAPAN Phone 81-42-989-0990 ©2025 SLIK CORPORATION <http://www.daiwa-tripod.com>