

DAIWA DVS-SA753PTZ

Operating Instructions

Thank you very much for choosing this DAIWA product. We have designed it to be a sturdy, rugged, dependable product that will provide many years of satisfactory use. Please read these operating instructions carefully before use so that you can take full advantage of the tripod's features. Retain these operating instructions in case you need to refer back to it.

⚠ Caution

This caution icon refers to information pertaining to important safety procedures in preventing injuries, or damages which may occur as a result of mishandling this product.

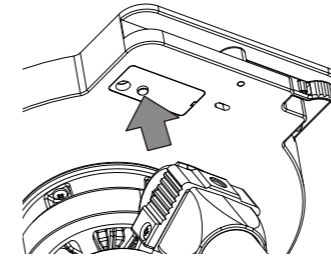
🚫 Prohibition

This prohibited icon refers to information pertaining to prohibited contents. Please refer to instruction closely to avoid accidents.

Specification

Max. operating height	1485mm
Folded length	660mm
Min. operating height	190mm
Ball diameter	75mm
Weight	3.23kg
Battery	CR1220
With exclusive bag	

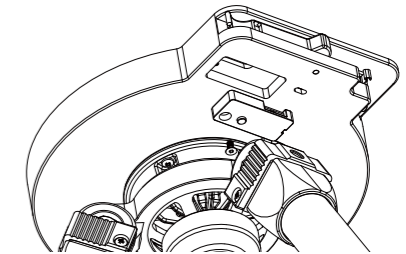
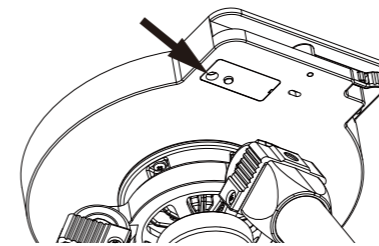
LED light



There is an LED switch on the bottom of the platform (below the bubble level)

When you press the LED switch, the light inside the bubble level will turn on and will turn off in about 20 sec. automatically. This is useful for leveling when shooting in the dark place.

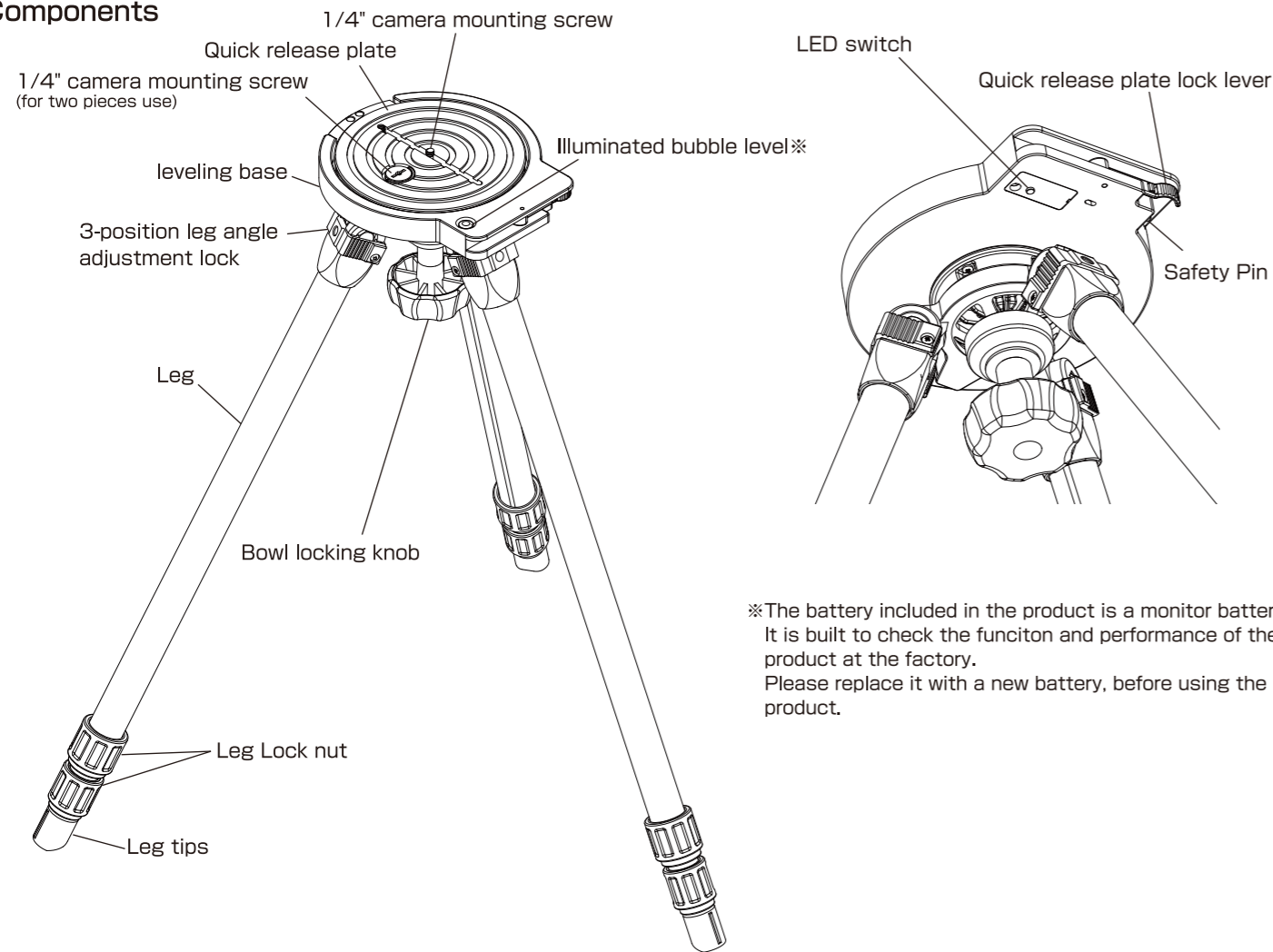
Battery replacement



When the light goes out or becomes weak, replace the battery with new one.

Use 2mm hex wrench to remove the screw on the back of the leveling unit. LED unit will come off from the leveling unit. In this case, do not forcefully remove it with a sharp edge tool, as this may cause damage or malfunction.

Components



※The battery included in the product is a monitor battery. It is built to check the function and performance of the product at the factory. Please replace it with a new battery, before using the product.

Equipment that can be loaded on this tripod

🚫 Prohibition

This equipment is designed to carry up to 10kg of equipment. Do not overload. Some equipment weighting under 10kg, may not balance well due to its weight distribution. Please place the camera COG as close to the center of the tripod as possible and use with care, tightening all fastening parts securely.

Carrying the tripod

🚫 Prohibition

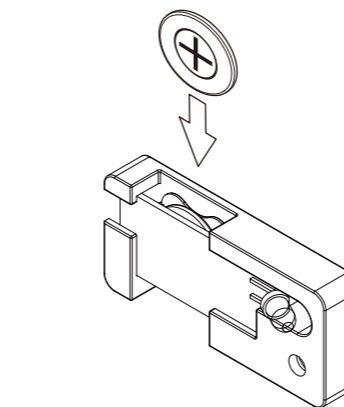


Carrying a tripod with a camera attached can lead to unexpected accidents. For this reason, we recommend you to remove your camera while carrying the tripod.

Setting up

⚠ Caution

Make sure that the lock levers and knobs on the head and legs are properly locked. If the lock is not securely attached, the camera may fall off and be damaged. Be sure to support the camera body with your hand until you are sure it is locked securely. This may cause the camera to fall, resulting in injury to the user or people around, damage to property, etc. To prevent the camera from falling over, fully open the legs and use it on a stable ground.



Make sure to insert the battery with the + and - in the correct direction.

Be sure to use "CR1220" battery

⚠ Caution

The built-in battery is for testing purposes only and may run out sooner than the battery life.

Make sure the battery is properly inserted and press the LED light button to make sure the LED lights up.

Once you have confirmed that the LED is emitting light, return it to its original position and secure it in place with the screw.

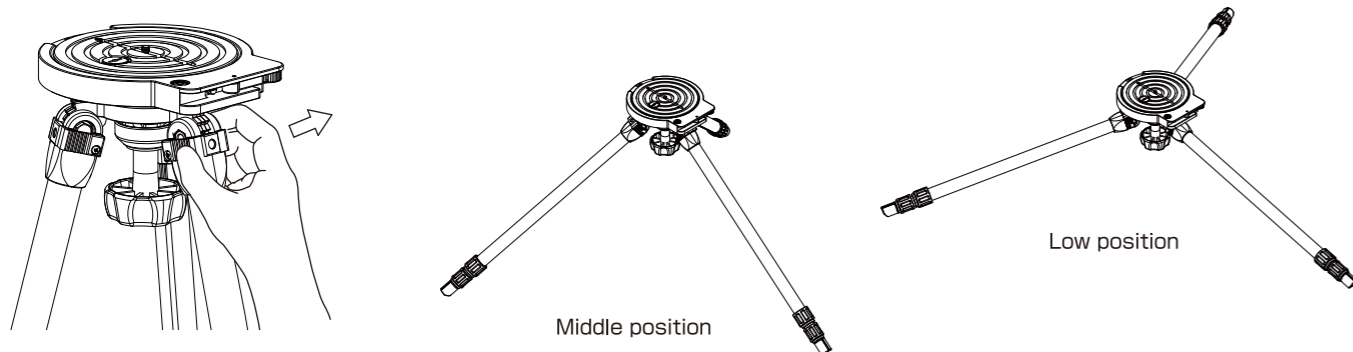
Care of the tripod

DO NOT apply any grease or oil to this product. Clean with a mild detergent and a soft cloth only. DO NOT use close to flame. Avoid extreme heat.



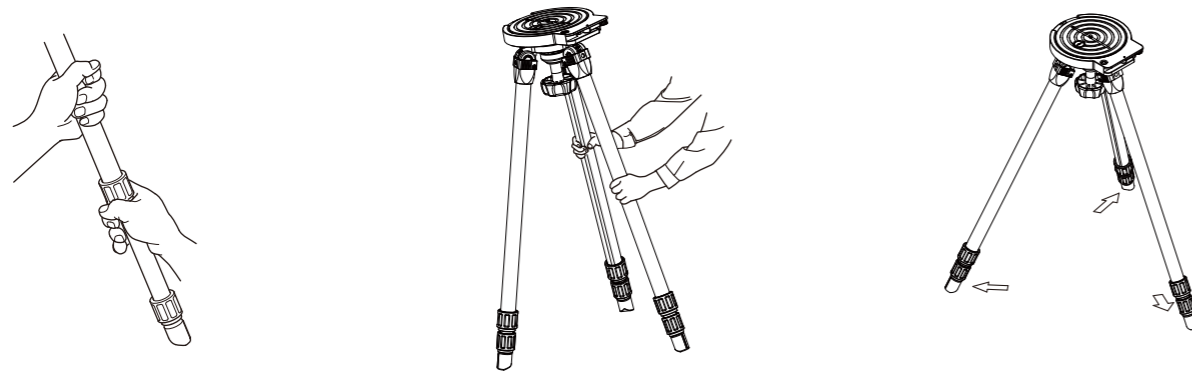
Slik Corporation reserves the right to make changes in design and/or improvements on the products without any obligation and advanced notice.

Leg angle adjustment



When opening each leg, it will stop at the first (standard) position. To change the angle of each leg, move the leg a little closer to inside and pull the leg angle adjustment lock out one click. The leg will be released and can be opened to the second position. To move the third position, again pull the leg angle adjustment lock out one click. After choosing the desired leg angle, securely push in the adjustment lock.

Extending legs

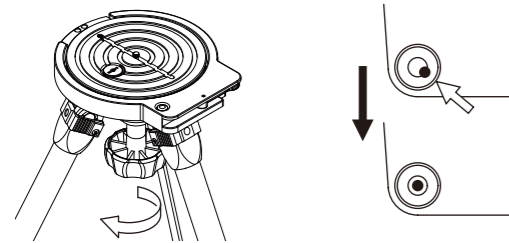


Release the leg lock nut by rotating one half turn. Because legs are grooved, the leg lock nut can be released in any order.

Holding two legs, tilt the tripod on the other leg. Pull the two legs outward. All three legs open at once.

Make sure the three legs are wide open. If the legs are not wide enough, it may become unstable and cause camera shake or the tripod tip over.

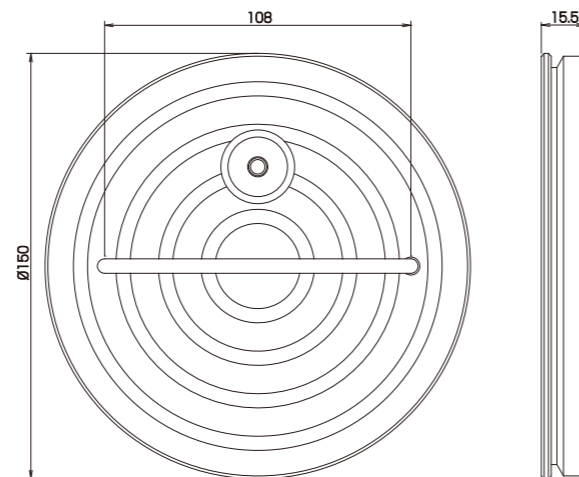
How to adjust the level of the leveling base



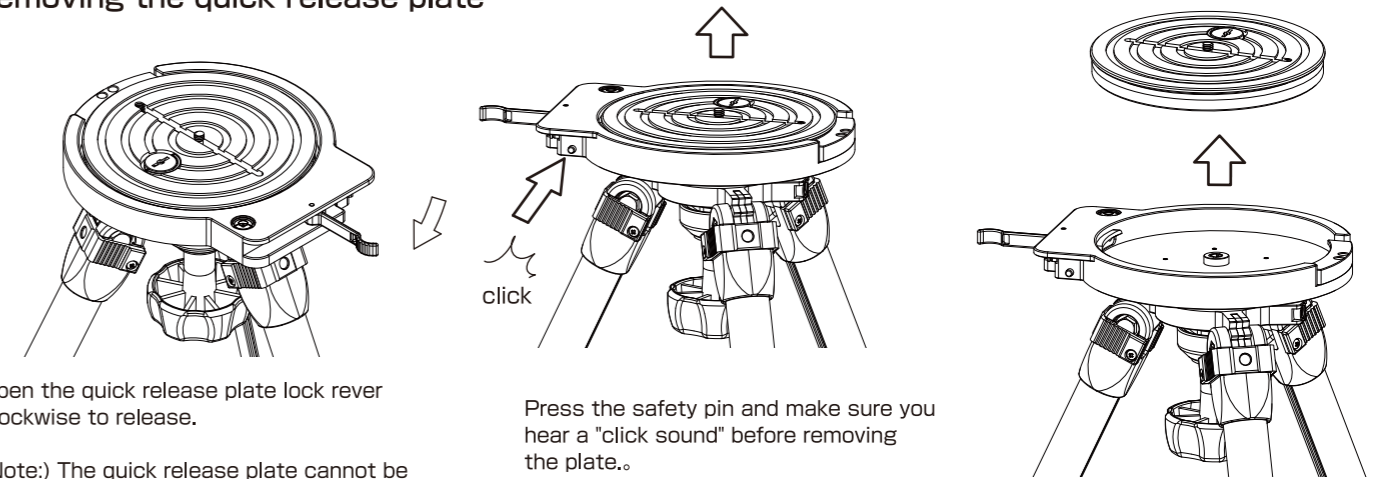
Adjust the level before attaching the camera on the leveling base.

- ① Loosen the bowl locking knob and adjust the bubble in the level to fit into the circle.
- ② Tighten the bowl locking knob.

Quick release plate



Removing the quick release plate

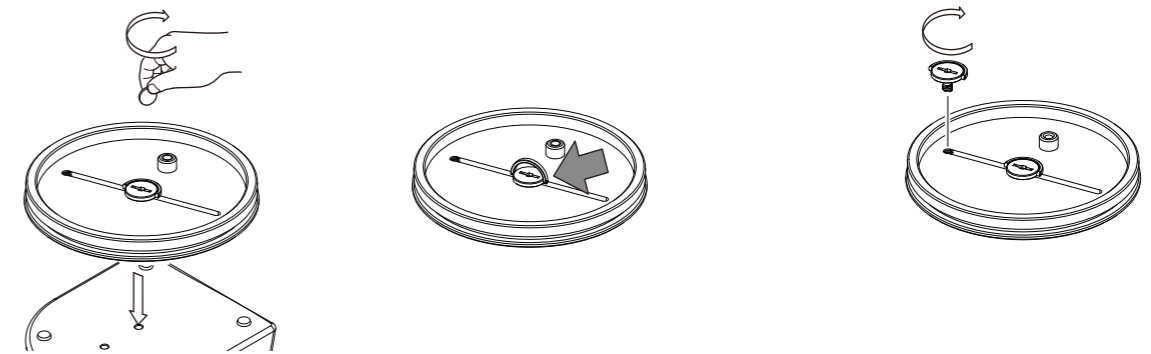


Open the quick release plate lock lever clockwise to release.

(Note:) The quick release plate cannot be removed just by opening the quick release plate lock lever.

Press the safety pin and make sure you hear a "click sound" before removing the plate.

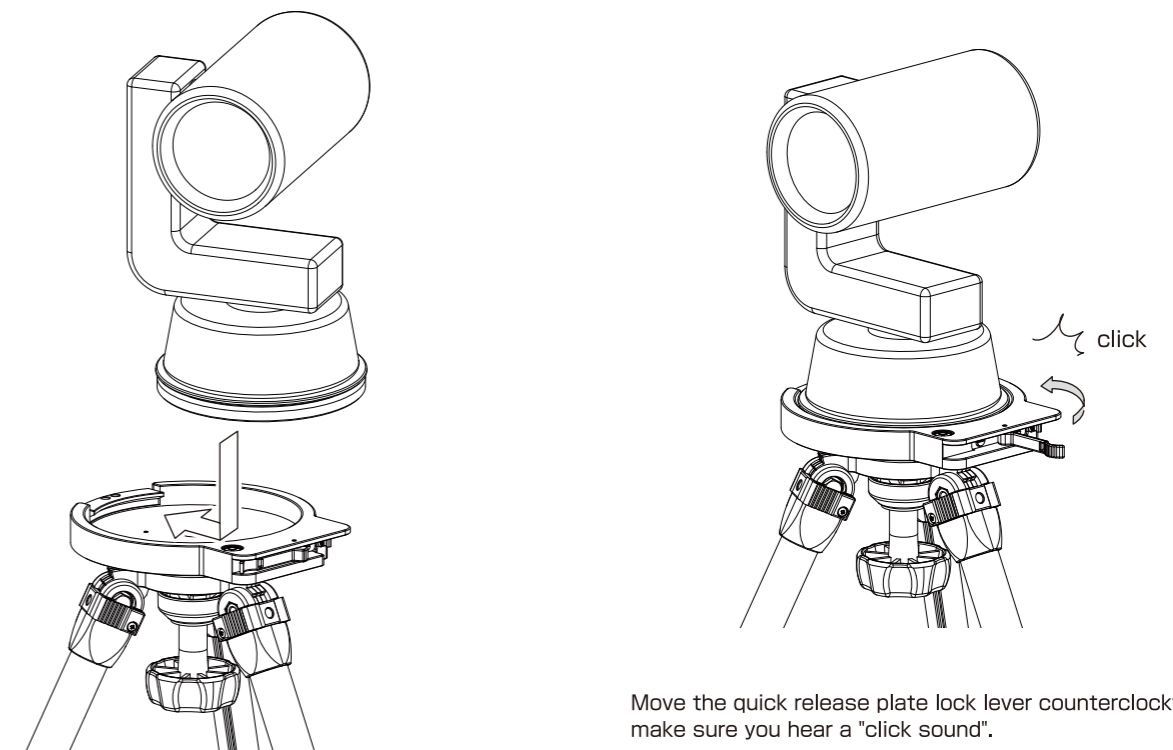
Attaching a camera to the quick release plate



Attaching the quick release shoe mounting screw to the camera mount hole. Align the camera mounting screw with the tripod mounting screw hole on the camera. Move the screw to the appropriate position. Depending on the camera, the rubber feet may interfere. In that case, remove the rubber feet from the camera before attaching the plate.
Note: If you attach the plate with the rubber feet still attached, the camera may not be level.

For models that secure the camera at two points, remove the other fixing screw attached to the plate and screw it in from the end of the slit.

Attaching a camera to the leveling unit



When attaching the camera to the leveling unit, make sure to press the plate against the front of the platform (the side opposite the split level).

Move the quick release plate lock lever counterclockwise and make sure you hear a "click sound".

(Note:) If the camera shoe lock lever does not move smoothly or you do not hear a "click sound", return the lock lever to its open position and adjust the plate position. Forcing the lever may damage the internal mechanism or break the lever.